

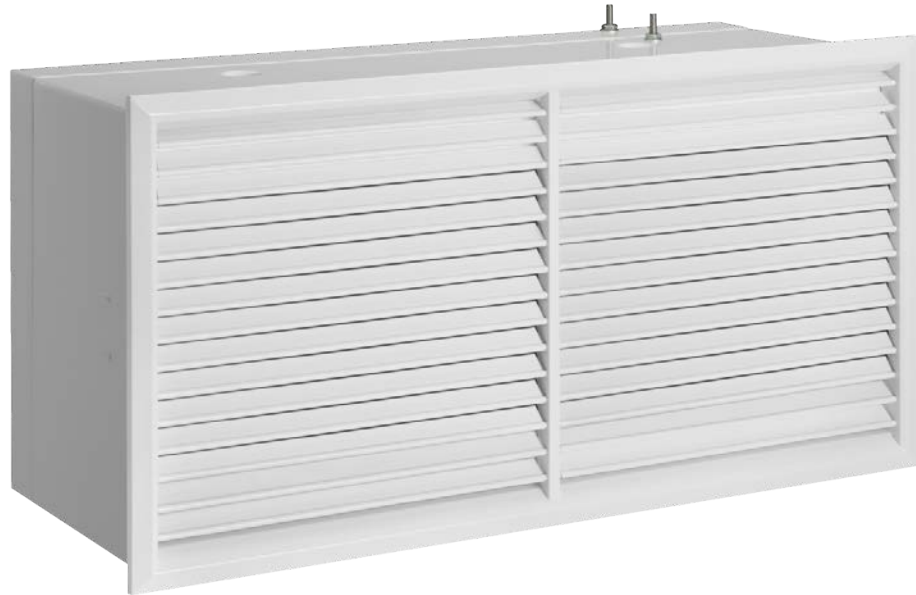
Adapter frame for connection to ducts



Tested to VDI 6022

Particulate filter air terminal devices

TFW



For critical air cleanliness and critical hygiene requirements, suitable for wall installation

Wall mounted particulate filters as a final filter stage with Mini Pleat filter panels for the separation of suspended particles. Used in medicine, biology, the pharmaceuticals industry, and sensitive technical areas.

- Easy, time-saving and secure filter change, can be completed by one person due to special press-in frame
- For air cleanliness classes 5 to 8 according to ISO 14644-1
- Different constructions for filter elements with various frame depths
- Casing with indentations to ensure the precise fitting of the filter elements
- Equipment for differential pressure measurement, sealing integrity testing, and particle sampling for measurement
- Meets the hygiene requirements of VDI 6022

General information	2	Order code	4
Specification text	3	Dimensions	5

General information

Application

- Particulate filter air terminal devices for wall installation as a final filter stage and for air distribution
- Fitting of filter elements for the separation of suspended particles such as aerosols, toxic dusts, viruses, bacteria from the supply or extract air.

Construction

- SPC: Steel, powder-coated RAL 9010, pure white

Nominal sizes

- Casing depth 262, 334, and 476 [mm]

Useful additions

- X-GRILLE modular: ventilation grille

Useful additions

- Mini Pleat filter panels (MFP)
- Suitable filter elements to be ordered separately

Special features

- Compact construction
- Easy connection to ducts
- High operational reliability

Construction features

- Clamping mechanism with 2 fixing points for filter elements
- Sealing integrity test facility to check the filter function
- Measurement points for monitoring the differential operating pressure
- Casing with adapter frame facilitates connection to ducts

Materials and surfaces

- Casing made of sheet steel, powder-coated RAL 9010, pure white
- Ventilation grille X-GRILLE modular, made of aluminium, powder-coated RAL 9010, pure white
- Ventilation grille X-GRILLE modular, made from extruded aluminium sections, anodised E6-C-0 (no colour)

Commissioning

- The filter element is pressed into place using 2 easy-to-handle clamps
- Fastening of the various diffuser faces by concealed screw fixings (by others)

Standards and guidelines

- Hygiene conformity according to VDI 6022, VDI 3803, DIN 1946 Part 4, ÖNORM H 6021 and ÖNORM H 6020, SWKI VA 104-01 and SWKI 99-3, and EN 13779
- Leakage class: L1 according to EN 1886 and D according to EN 15727

Maintenance

- Air terminal devices with a concealed screw fixing to facilitate removal for filter change and decontamination

Specification text

This specification text describes the general properties of the product. Texts for variants can be generated with our Easy Product Finder design program.

Specification text

Particulate filter air terminal device type TFW for wall installation as a final filter stage and for air distribution. Fitting of filter elements for the separation of suspended particles such as aerosols, toxic dusts, viruses and bacteria from the supply or extract air. Casing with clamping mechanism with 2 fixing points for filter elements. As standard, the casings are equipped with a sealing integrity test facility and pressure measurement points for monitoring the operating differential pressure. For the fitting of Mini Pleat filter panels with a flat seal. Ventilation grille X-GRILLE modular, made of aluminium, anodised E6-C-0 (no colour) or powder-coated RAL 9010 (pure white). Leakage test for each casing.

Special features

- Compact construction
- Easy connection to ducts
- High operational reliability

Materials and surfaces

- Casing made of sheet steel, powder-coated RAL 9010, pure white
- Ventilation grille X-GRILLE modular, made of aluminium, powder-coated RAL 9010, pure white
- Ventilation grille X-GRILLE modular, made from extruded aluminium sections, anodised E6-C-0 (no colour)

Constructions

- SPC: Steel, powder-coated, RAL 9010, pure white

Order code

TFW – SPC – X-GRILLE modular – 9010 / 665 × 335 × 476
| | | | | |
1 2 3 4 5 6

1 Type

TFW Wall mounted particulate filter

2 Casing material

SPC Steel, powder-coated, RAL 9010 (pure white)

3 Air terminal device

No entry: none

X-GRILLE modular

4 Surface – diffuser face

No entry: anodised, E6-C-0 (no colour)

9010 Powder-coated RAL 9010, pure white, GU50

5 Nominal size [mm]

Specify size (width × height)

X-GRILLE modular

665 × 335

6 Casing depth [mm]

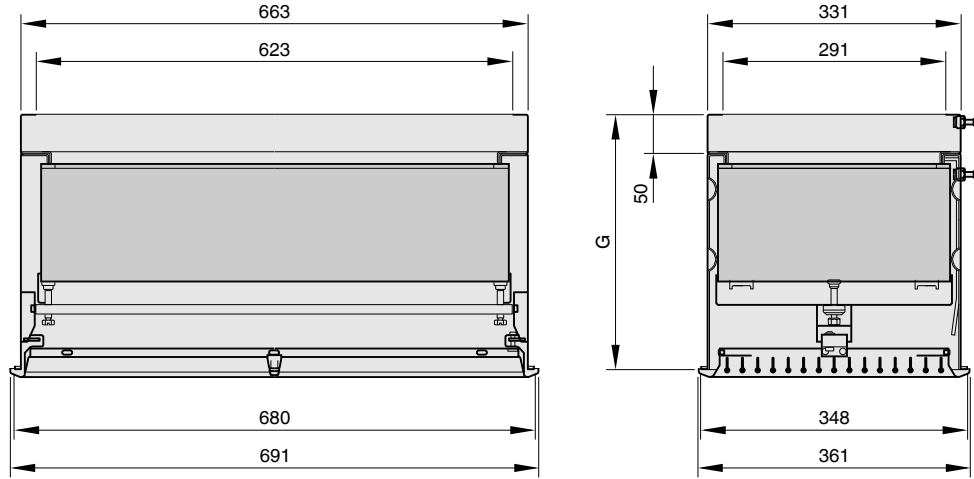
Specify casing depth

Order example: TFW-SPC-XGM-9010/665×335×476

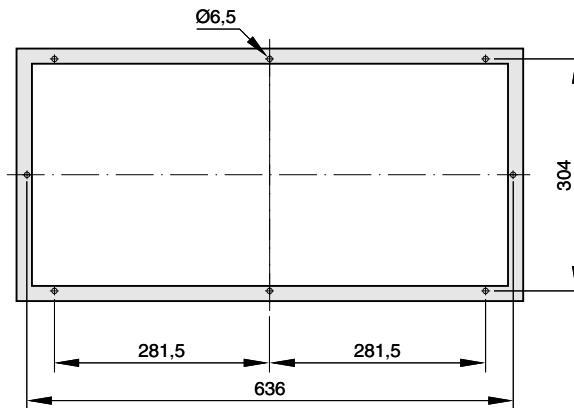
Type	TFW
Material	Steel, powder-coated, RAL 9010 (pure white)
Air terminal device	X-GRILLE modular
Surface – diffuser face	Powder-coated RAL 9010, pure white, GU50
Nominal size [mm]	Width 665, height 335
Casing depth [mm]	476

Dimensions

Dimensional drawing of TFW



TFW flange dimensions



Dimensions [mm] and weight [kg]

Wall mounted particulate filter with ventilation grille X-GRILLE modular

Nominal size		Filter size	Casing depth	Weight
L	H	B × H × T	G	kg
665	335	305 × 610 × 78	262	10
665	335	305 × 610 × 150	334	11
665	335	305 × 610 × 292	476	12